

Installing the ARX[®]-4000

This ARX[®]-4000 *Quick Installation* card provides instructions for installing an ARX-4000 in a standard 19-inch (48.3 cm) equipment rack and performing an initial boot of the switch.

The audience for this ARX-4000 *Quick Installation* is a network technician who is responsible for installing network equipment in an enterprise data center.

◆ Important

This is a Class A product. In a domestic environment, this product may cause radio interference, in which case the user may be required to take adequate measures. Changes or modifications not expressly approved by the manufacturer could void your FCC-granted authority to operate this equipment.

Recommended Tools and Equipment

The following tools and equipment are recommended for unpacking, rack-mounting, and installing the switch.

- Utility knife (optional, for the packaging)
- Phillips screwdriver
- Laptop or PC to connect to the serial-console port
- Customer-supplied standard 19-inch EIA rack

Unpacking the Switch Components

F5 Networks ships the ARX-4000 in one shipping box or two. If you received two boxes, it means that the control plane and data plane are in separate boxes. In addition to the component, each box contains an Accessory Kit packed on top of the component. To verify the contents of the Accessory Kit(s), see *Verifying the Accessory Kit Items*.

For more information on the slide rails, see *Installing the Slide Rails and the Components*.

◆ Important

Retain all packing materials. Product returns are acceptable only in the original packaging or in packaging obtained from F5 Networks.

1. Inspect the box for any shipping damage.
2. Open the box (top flaps) and remove the Accessory Kit.
3. Check the shock watch sticker on the inside of the packaging.

The shock watch sticker is an orange sticker that alerts you to the possibility of damage from some physical shock (such as a drop). If the indicator is red, inspect the shipment for damage and notify F5 immediately.

If you need to return a component, consult the instructions, *The F5 Return Materials Authorization (RMA) Process*, located on the AskF5 website:

<http://www.f5.com/pdf/customer-support/rma-process.pdf>

4. Carefully lift the slide rails and the components out of the box.
5. Read the instructions, *Slide Rail Installation*. These instructions are critical to understanding how to install the rails in the rack and set the component (control plane or data plane) into the rails.

Verifying the Accessory Kit Items

The following table lists the contents of the Accessory Kits if the control plane and data plane are shipped separately.

Control Plane Accessory Kit	Data Plane Accessory Kit
Power cords: 2 power cords in international shipments. 1 Y power cord in domestic shipments.	Power cords: 2 power cords in international shipments. 1 Y power cord in domestic shipments.
Instructions for installing the slide rails, <i>Slide Rail Installation</i> (in bubble bag).	Instructions for installing the slide rails, <i>Slide Rail Installation</i> (in bubble bag).
ARX [®] -4000 <i>Quick Installation</i> (this card).	ARX [®] -4000 <i>Quick Installation</i> (this card).
	2 power cord locks for data plane power supplies.
	Optional X2 packs for the optical ports (if ordered).
	1 PCI-E cable (1/2 meter).
	1 rollover serial console cable with RJ-45-to-DB9 adapter.
	ARX [®] -4000 <i>Hardware Installation Guide</i> (hardcopy or PDF on CD-ROM).
	Ear mount assemblies and screws.
	Front bezel.

If the control plane and the data plane are shipped in a single box, the Accessory Kit will contain all items listed in the previous table.

Installing the Slide Rails and the Components

Before you install the components, you must assemble and install the slide rails.

◆ Note

It doesn't matter which component you install first (control plane or data plane) but you should install the control plane 1 RU above the data plane.

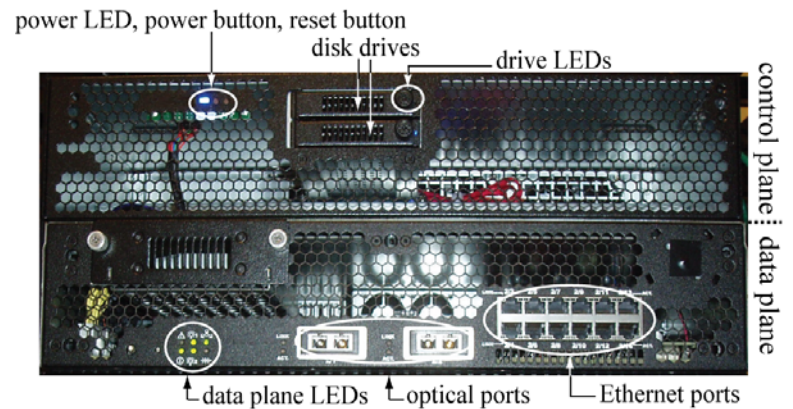
1. Install the slide rails, using the instructions, *Slide Rail Installation*.

The components are each 2 RU tall. To allow for proper racking, install the rack rails 1 RU apart with at least 1 RU above the top rail.

2. Continuing to follow the slide rail installation instructions, align the component with the slide rails and slide it partially into place on the rails while pushing the rails towards the sides of the component. Leave about 6 inches of the component extended out from the rack.
3. When you have installed both components on the rails, attach the ear assemblies and fully retract the switch into the rack.
4. Using the screws provided, screw the ear assemblies to the rack.

The ear assemblies and the front bezel hold the components together, which guards against the switch sliding out during an extreme event, such as an earthquake. See *Figure 1.1*, which shows both the control plane and the data plane installed in a standard rack and identifies key components visible in the front view.

Figure 1.1 Front Panel Components—No Bezel Installed



Attaching Cables and Powering On the Switch

The following procedure covers attaching the cables and powering on the switch.

◆ DANGER

Before powering on the switch, make sure all AC outlets to the switch are properly grounded. Never assume that power is disconnected from a circuit; always check.

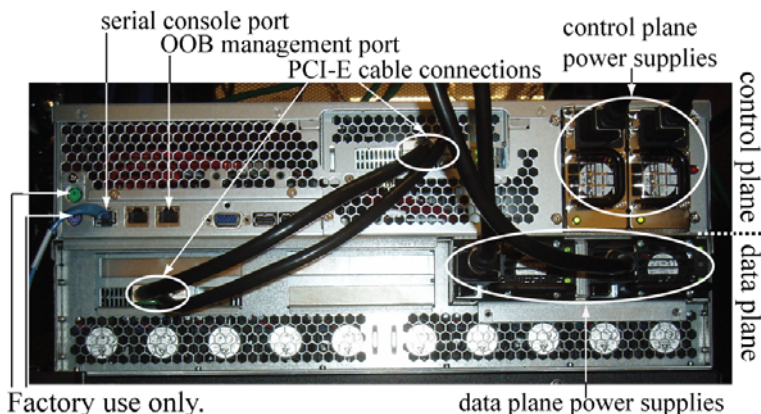
1. Attach the PCI-E cable. For locations, see *Figure 1.2*.
2. Attach power cords to the data plane and control plane power supplies. Attach one data plane power supply to one AC line feed and the second data plane power supply to a separate line feed.

If using a Y power cord, attach one female end to a data plane power supply and the other female end (of the same cord) to a control plane power supply. Attach the second power cord in the same fashion: one female end to a data plane power supply and the other female end (of the same cord) to a control plane power supply.

See *Figure 1.2* for the plug locations; the data plane is on the bottom.

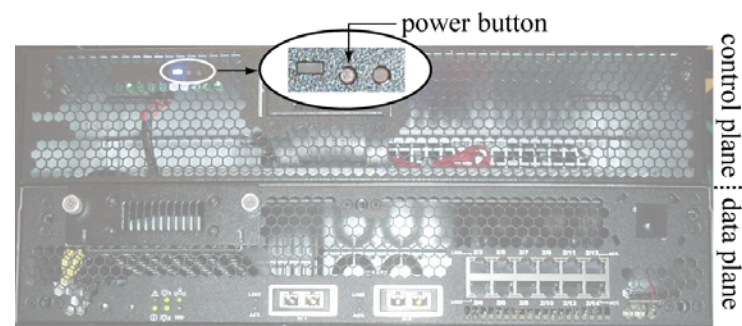
- Attach the serial console cable to the serial console port. This port is identified in *Figure 1.2*. See also, *Connecting a Console Terminal*.

Figure 1.2 Back Panel Components



- From the front of the switch, identify the power button, which is the first button to the right of the LEDs. For help in locating the power button, see *Figure 1.3*.

Figure 1.3 Location of Power Button



The power button powers up the switch or places the switch in sleep mode. To fully remove power from the system, you must unplug all AC power cords.

- Install the front bezel. The following figure shows a fully-installed ARX[®]-4000 from the front with the bezel attached.

Figure 1.4 Front Panel—Bezel Installed



Connecting a Console Terminal

Before booting the switch, set the console-terminal parameters to match those on the serial console port (on the switch) as follows:

- 9600 baud rate (default)
- XON-XOFF flow control
- 8 data bits
- 1 stop bit parity

Connect the console terminal to the serial console port (RJ-45) on the back panel. For the location of the serial console port, see *Figure 1.2*. Use the included rollover cable and the RJ-to-DB9 adapter.

Perform the initial configuration on the switch, as described in *Launching the Initial-Boot Wizard*.

Launching the Initial-Boot Wizard

Before you begin, check that you have properly configured the console terminal settings. For details on the console settings, see *Connecting a Console Terminal*.

When the switch powers up for the first time, the system boots from the hard drives in the switch and the boot wizard starts automatically. The wizard prompts for basic configuration and security information. After some boot-up messages, the following prompt appears:

Press <Enter> to start the Switch Configuration Wizard.

Press <Enter> and complete the steps in the initial-boot wizard. For detailed instructions on answering the prompts and completing the wizard, see the *ARX-4000 Hardware Installation Guide*.

For instructions on adding the ARX-4000 to your network, see the *ARX[®] GUI Quick Start: Network Setup* or the *ARX[®] CLI Network-Management Guide*. For detailed instructions on configuring storage and storage policies, see the *ARX CLI Storage-Management Guide*.

You can access these guides through the ARX Manager GUI. A link to the documentation appears at the bottom of the navigation panel on the lefthand side of the GUI.



Copyright © 2005-2012, F5 Networks, Inc. All rights reserved.

ARX[®] is a registered trademark of F5 Networks, Inc., in the U.S. and other countries, and may not be used without the express written consent of F5 Networks. All other brands or product names are trademarks of their respective companies or organizations.

Part Number: 810-0056-00, Rev. F

ARX[®]-4000 Quick Installation